

# AVAIR

## AV-2000D SERIES FULL DIGITAL SWITCHING POWER SUPPLY

### INSTRUCTION

AV-2000D series is lightweight, high performance, high efficiency, durable, switching power supply and with highly visible back light, easy to read dual meters.

### Specification

Input voltage: AC 90~125 or AC 200~240 inside selectable

Output voltage : DC 0.5V~16V(AV-2015D/AV-2025D)  
DC 0.5V~25V(AV-2015DZ/AV-2025DZ)

Output voltage regulation : less than 1%

Ripple: less than 9mVp-p at rated load

Protection:

1 short protection: it will reduce the output voltage down to 0.1v Amps down to 0.4Amps and the warning led will light up when short condition remove it will automatic restart the power supply to normal condition.

2 overload protection: same as above

3 over voltage protection: same as above

4 over temperature protection: AV-2000D series has two stage over temperature protection function see attached Fig5.

Output current:

AV-2015D :Max 15 Amps continuous 13 Amps

AV-2015DZ :Max 10 Amps continuous 8 Amps

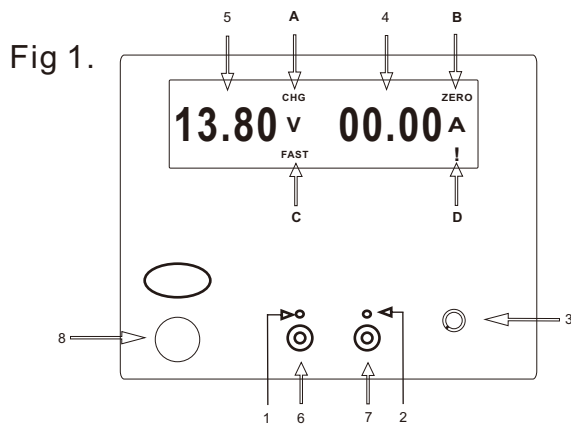
AV-2025D :Max 25 Amps continuous 22 Amps

AV-2025DZ:Max 14 Amps continuous 12 Amps

Dimension :180(D)X126(W)100(H)mm

Weight : AV-2015D/AV-2025DZ 1.3Kg AV-2025D/AV-2025DZ: 1.5Kg

### Function Description



1 Power indicator : Light up when the unit turn on.

2 Warning indicator: Light up when output terminal short or over load, over voltage( preset 16Dcv), component over hot.

3 Multifunction Voltage adjust knob:

a: Turn clockwise increment 0.008V/STEP

b: Push "FAST" indicator light up

Turn clockwise increment 0.100V/STEP

c:Click 4 times in 4 seconds LCD "ZERO"

indicator light up it will zero ampere reading

d: Push and hold 5 second "V" indicator will flash this will active output voltage control lock or unlock

4 Amps indicator meter: Display the output current when connect any device.

5 Voltage indicator meter: Display the output voltage.

6 Output terminal: Negative polar of Dc output

7 Output terminal: Positive polar of Dc output

8 DC socket Max 15A

9 Ac input socket: Ac 90v~120v or Ac 200v~240v

10 Power switch: Turn the unit on or off

11 AC input voltage range selector

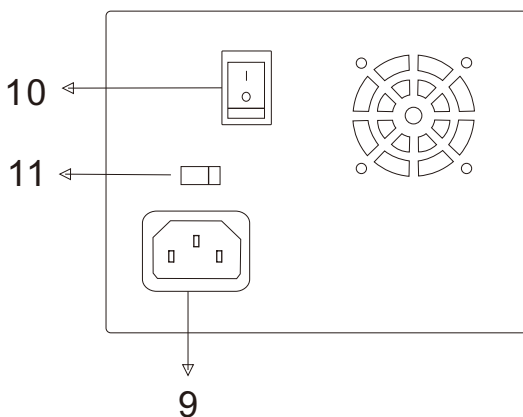
A Charge model indicator  
( Only the model have this function will display)

B Rest ampere reading to zero indicator

C Output Voltage control 20 time fast indicator

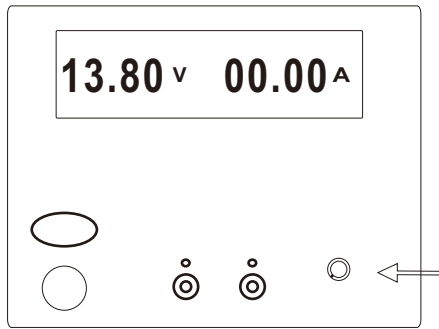
D Warning indicator

Fig 2.

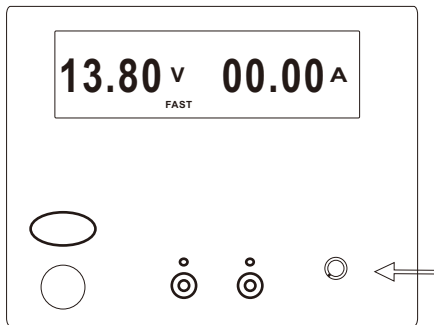


# Caution

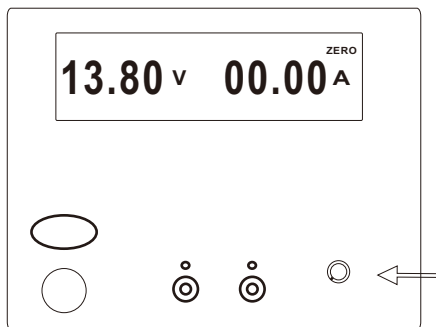
- 1 This power supply is natively ground, always use the AC outlet with ground terminal.
- 2 Before replacing a fuse make sure you have unplug the Ac plug and never use unproperly fuse value.
- 3 Do not block the air convention slits to keep the efficient heat radiation.



NORMAL CONDITION VOLTAGE INCREMENT 0.008V/STEP.



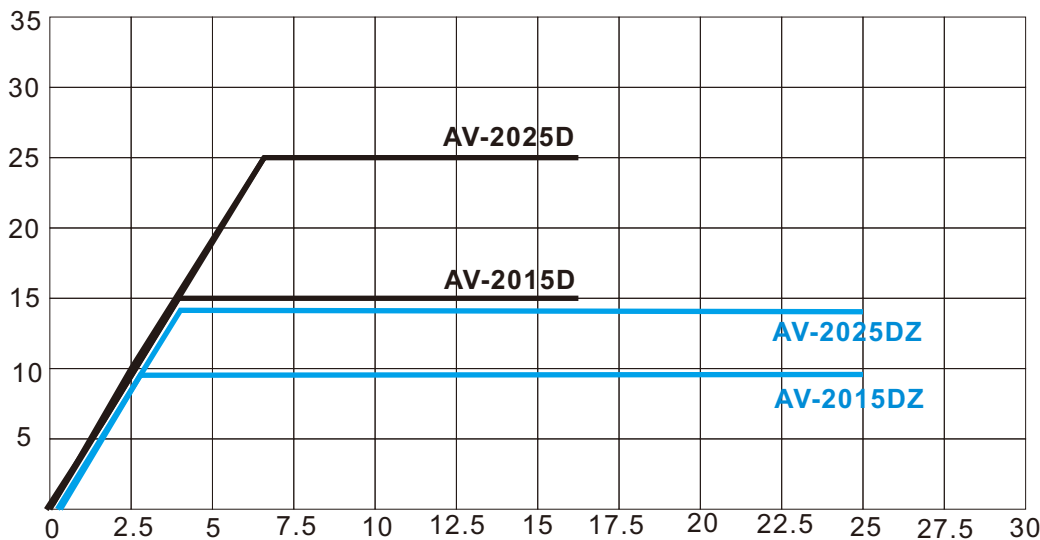
PUSH AND RELEASE IMMEDIATELY  
FAST INDICATOR LIGHT UP  
IN THIS CONDITION VOLTAGE INCREMENT BECOME 0.1V/STEP  
IT IS ABOUT 20 TIME FAST THAN NORMAL CONDITION  
IF IN 10SECOND NO ANY INPUT "FAST" WILL DISABLE



PUSH AND HOLD 3 SECONDS "ZERO" INDICATOR WILL LIGHT UP  
THIS WILL RESET AMPERE READING TO ZERO

**Ampere**

**Voltage VS output Ampere**



**Voltage**

**Remark : All models 1V~6V maximum ampere limit at 16A**

**AVAIR ELECTRONICS CO.**

NO.88 SAN TOE RD. SEC. 1 KAOSHIUNG ,TAIWAN

Phone:+886-7-7519135 Fax:+886-7-7512008

E-Mail:sales@avair.com.tw