

# AVAIR

## AV-800Z SERIES SWITCHING POWER SUPPLY

### INSTRUCTION

AV-800Z series is lightweight, high performance, high efficiency, durable, switching power supply and with highly visible back light, easy to read dual meters .

### Specification

Input voltage: AC 90~125 or AC 200~240 inside selectable

Output voltage : AV-800Z DC 0.0V~24V variable

Output voltage regulation : less than 1%

Ripple: less than 9mVp-p at rated load

Protection:

1 short protection: it will reduce the output voltage down to 0.1v Amps down to 0.4Amps and the warning led will light up

when short condition remove it will automatic restart the power supply to normal condition.

2 overload protection: same as above

3 over temperature protection: AV-800Z series has two stage over temperature protection .

Output current: AV-825Z Max Dc24v 9A DC16V 17 A DC12V 18A DC5V 20A DC3V 21A

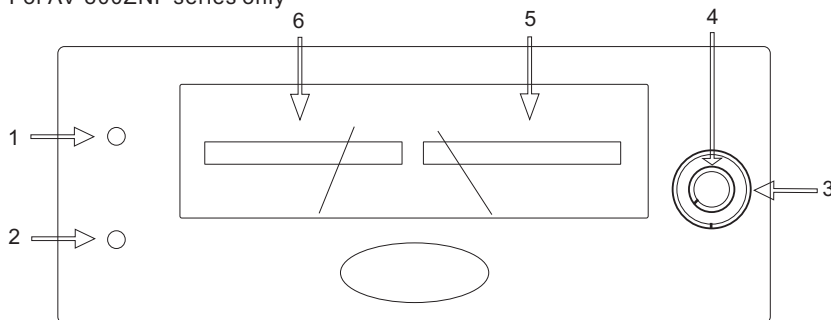
:AV-815Z Max Dc24v 6A DC16V 13 A DC12V 15A DC5V 20A DC3V 21A

Dimension :165(D)X147(W)55(H)mm

Weight : AV-815z 1.0Kg/ AV-825z 1.1Kg

### Function Description

Fig 1. For AV-800ZNF series only



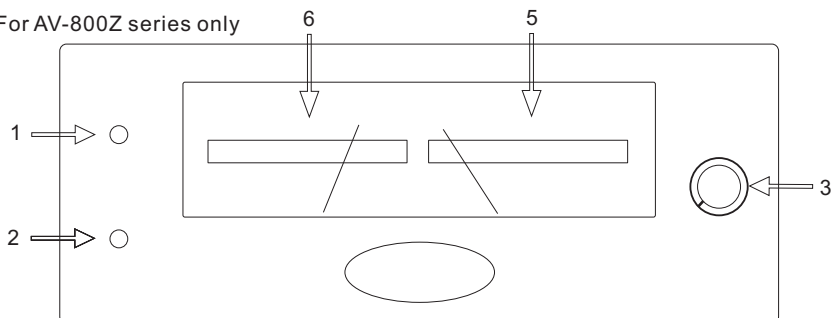
1 Power indicator : Light up when the unit turn on.

2 Warning indicator: Light up when output terminal short or over load, over voltage( preset 16Dcv), component over hot.

3 Voltage adjust knob: Turn clockwise increase the output voltage , when at center position factory preset Dc 13.8v.

4 Noise Offset knob: Adjust the switching frequency of the power supply from 19kHz~31kHz. this function is special design for communication radio use. when you meet noise from the radio try to turn this knob clockwise or counter clockwise it can reduce the noise output of the radio. Factory preset this knob at center position

Fig 2. For AV-800Z series only



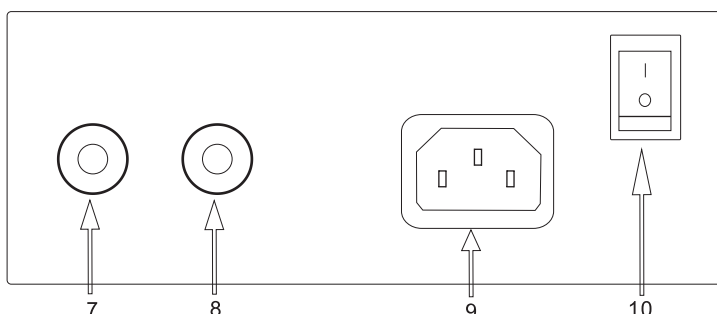
5 Amps indicator meter: Display the output current when connect any device.

6 Voltage indicator meter: Display the output voltage.

7 Output terminal: Negative polar of Dc output

8 Output terminal: Positive polar of Dc output

Fig 3.

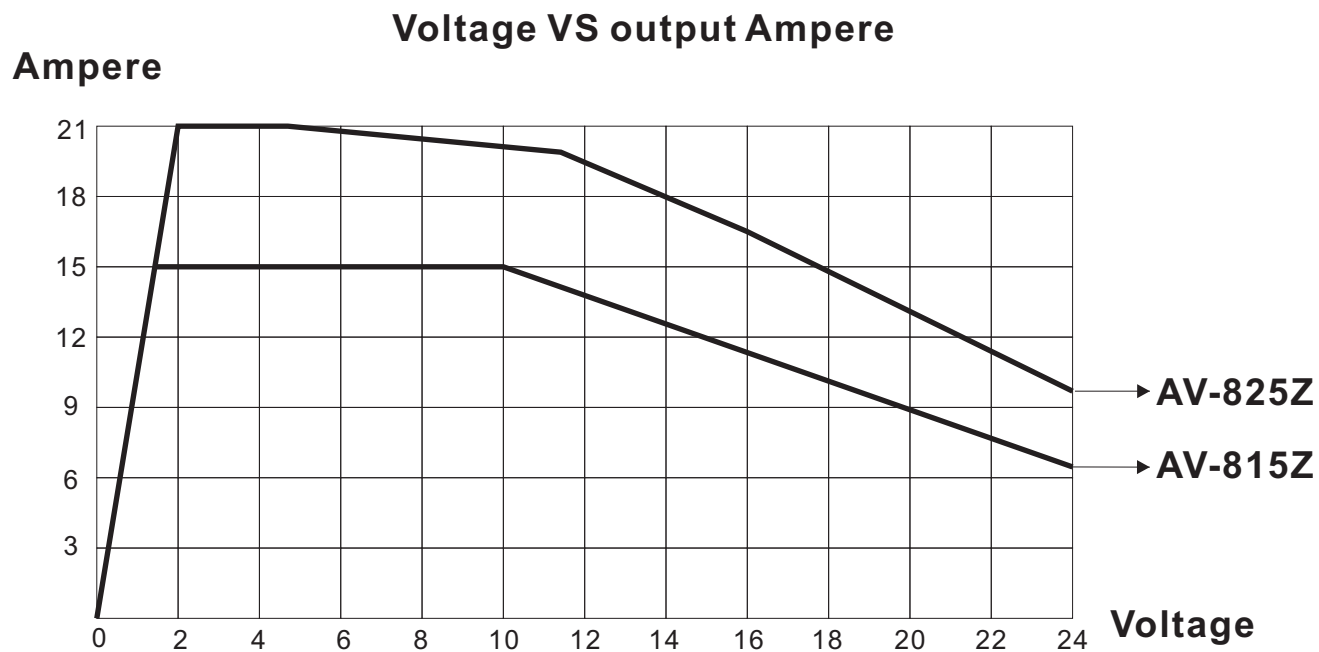


9 Ac input socket: Ac 90v~120v or Ac 200v~240v

10 Power switch: Turn the unit on or off

## Caution

- 1 This power supply is natively ground, always use the AC outlet with ground terminal.
- 2 Before replacing a fuse make sure you have unplug the Ac plug and never use unproperly fuse value.
- 3 Do not block the air convention slits to keep the efficient heat radiation.



**AVAIR ELECTRONICS CO.**

NO.88 SAN TOE RD. SEC. 1 KAOSHIUNG ,TAIWAN  
Phone:+886-7-7519135 Fax:+886-7-7512008  
E-Mail:sales@avair.biz